

STEEL STRUCTURE



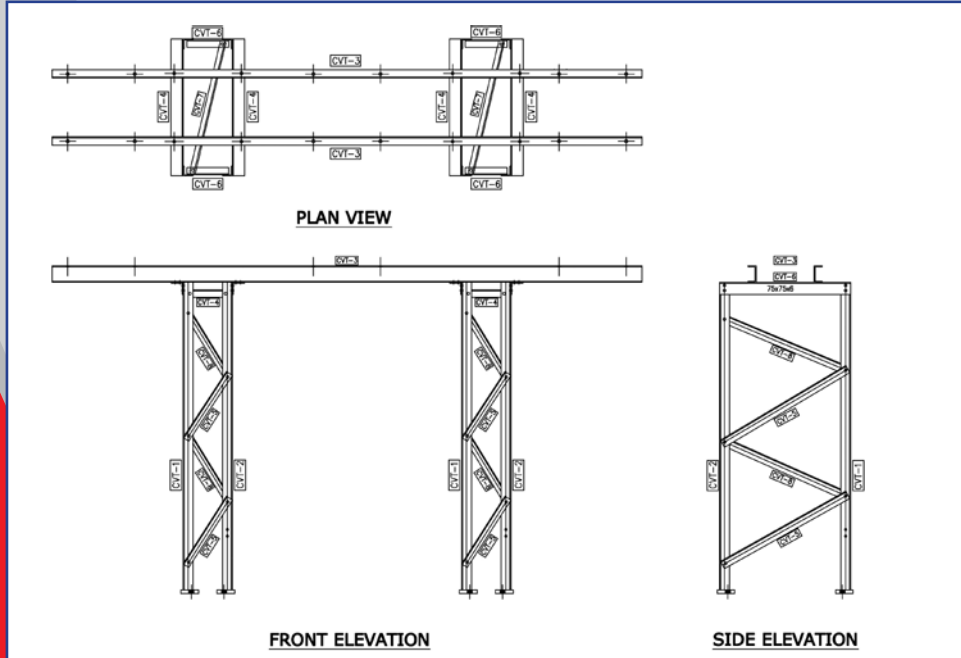
Steel Structure for Substation Application

Features:

- Made of steel materials protected by galvanic coating for maximum durability.

STEEL STRUCTURE FOR CT

BRAND	HEIGHT	WIDTH	DEPTH	WEIGHT
AREVA SBD-69	2000mm	3600mm	380mm	250kg
DALIAN LB5-69	2000mm	3600mm	410mm	470kg
ARTECHE	2000mm	3600mm	410mm	470kg
ELIMSAN EAT72.5-3	2000mm	4040mm	450mm	460kg
CROMPTON GREAVES	2000mm	4040mm	475mm	325kg



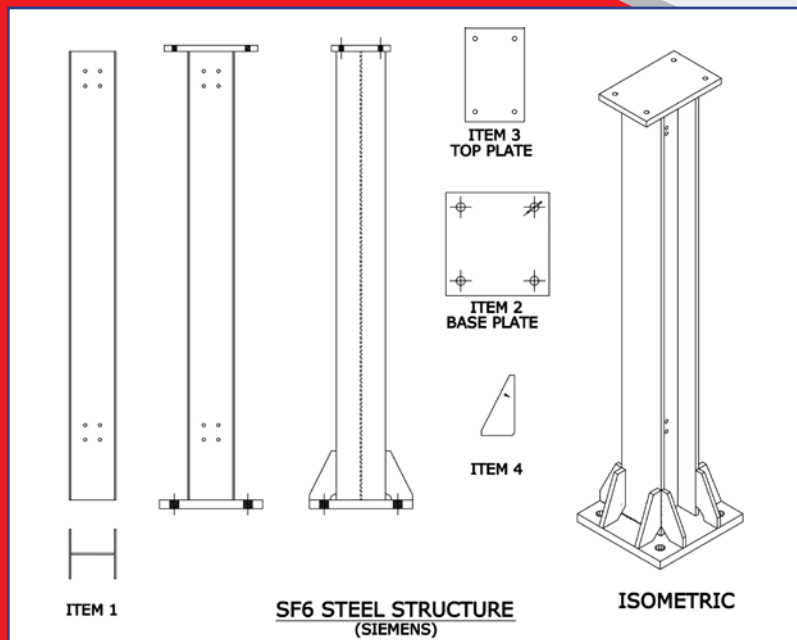
Note: Can also accommodate other brands or customized design.

TECHNICAL INFORMATIONS:

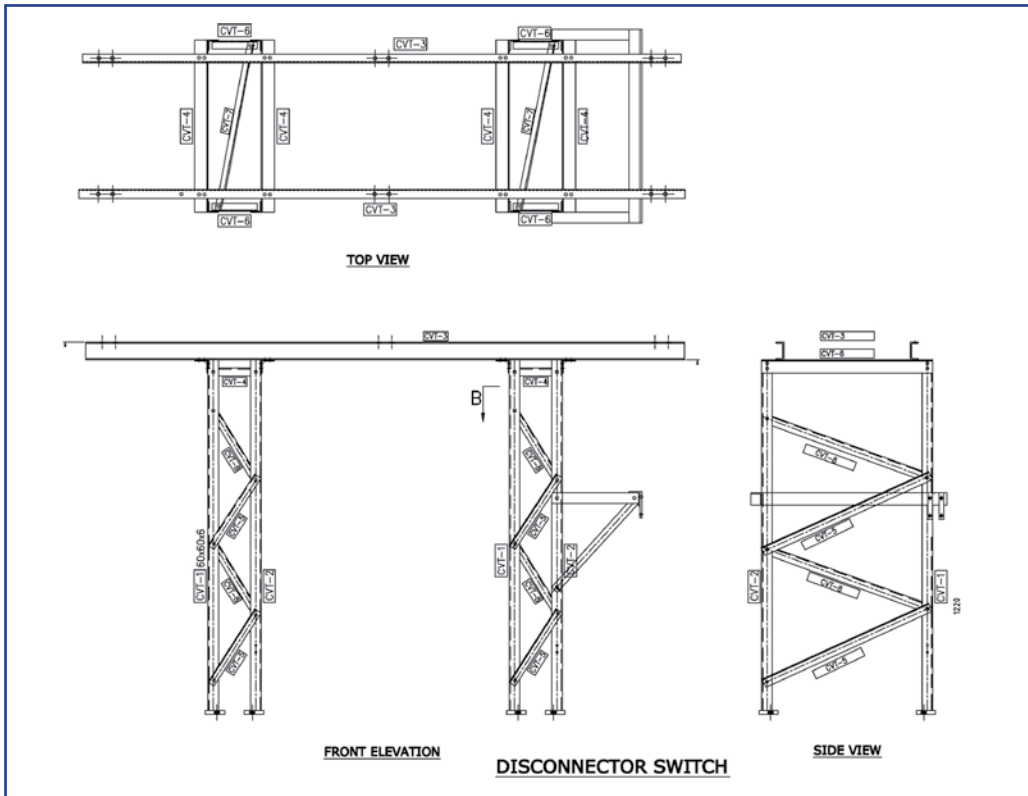
1. Members are made up of angle bars of size 45mmx45mmx6mmThk
2. All members are hot dipped galvanized.
3. M16 and M20 bolts are of JIS G3101 SS-41
4. All bolts, nuts, and washers will be stainless steel grade A70

STEEL STRUCTURE FOR SF6 BREAKER

1. Structure is made up of hot dipped galvanized I-beam.
2. Dimension is 1000mmHx420mmWx420mmD



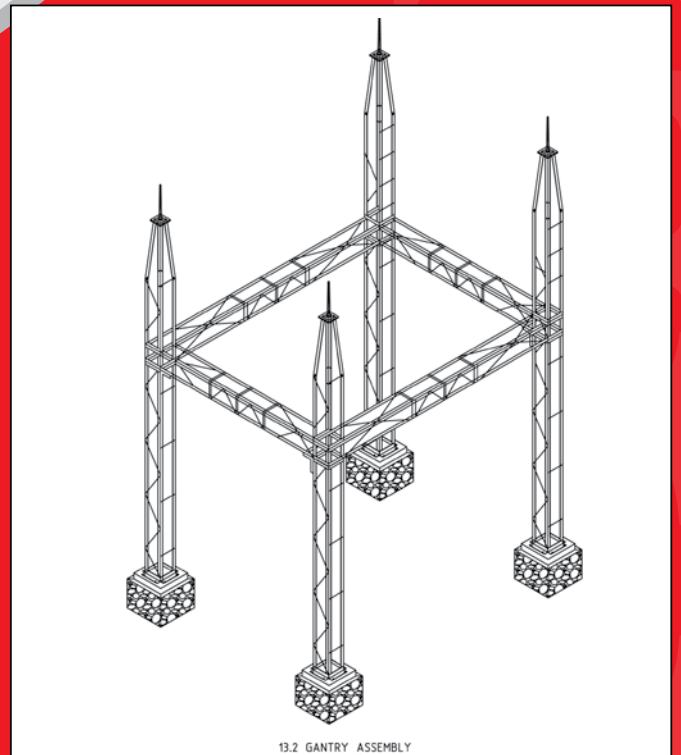
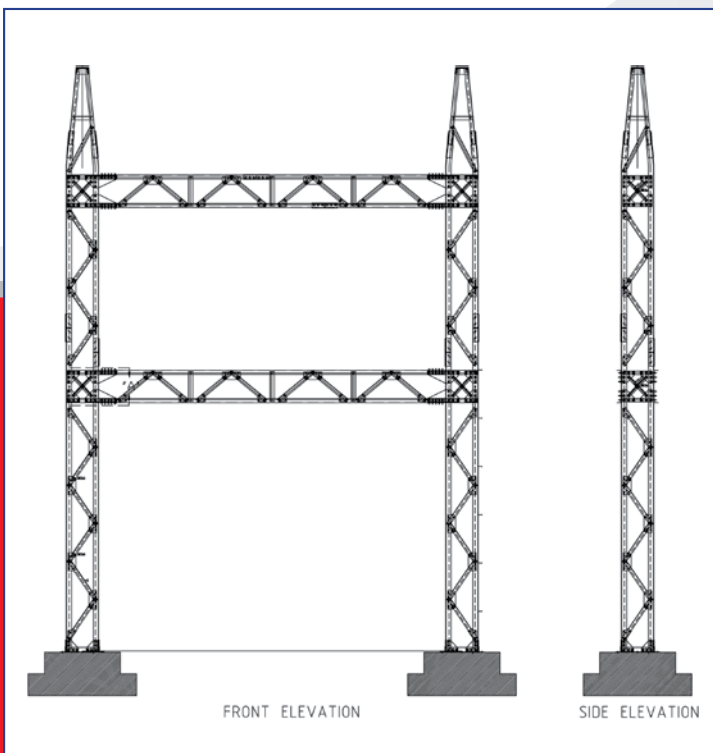
STEEL STRUCTURE FOR DISCONNECT SWITCH



TECHNICAL INFORMATIONS:

1. Members are made up of angle bars of size 45mmx45mmx6mmThk
2. All members are hot dipped galvanized.
3. M16 and M20 bolts are of JIS G3101 SS-41
4. All bolts, nuts, and washers will be stainless steel grade A70
5. Dimension: 2100mmHx1700mmWx765mmD

GANTRY STEEL STRUCTURE



STEEL STRUCTURE TECHNICAL DESCRIPTION

Codes & Standards

- The component parts of the structure are to comply with the latest American Institute of Steel Construction (AISC) standards, American Society for testing and materials (ASTM, American Welding Society, Inc. (AWS).

Steel, Bolts, Nuts & Washers:

Steel:

Comply with ASTM A36

Structural Steel:

Anchor Bolts: ASTM A307, Grade A

Nuts: ASTM A563, Grade A, Heavy Hex style.

Washers: ANSI B18.221. Type B

High Strength Structural Steel:

Bolts: ASTM A325, type 1 or 2

Nuts: ASTM A563

Washer: ASTM F436, plain carbon steel

Expansion Bolts:

Bolts shall be of the best commercial grade, of the type, class and style, best suited for the purpose



Steel structure included in this photo:

1. Gantry steel structure
2. Steel structure for CT/PT/LA
3. Steel structure for Circuit Breaker
4. Steel Structure for Capacitor

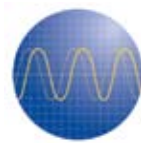
Manufactured by:



ASIAPHIL
ASIAPHIL ELECTRIC, INC.

ASIAPHIL ELECTRIC PAMPANGA, INC.
Site Address: Lot 10 & 12 Block 3, Angeles Industrial Park,
Calibutbut, Bacolor, Pampanga, Philippines
Tele Fax Number: (045) 636-6517-18

ASIAPHIL SOUTH LUZON, INC.
Lot 2582 San Antonio, Sto. Tomas, Batangas
Telephone No: (043) 318-2854



ASIAPHIL
ASIAPHIL GROUP OF COMPANIES
FULFILLING POWER NEEDS

www.asiaphil.com
www.giniphil.com
Email us at write@asiaphil.com