

# CT / METER BOXES AND ENCLOSURES



Meter Box for single meter



Meter Box for single meter



Battery Rack



Cluster Meter Box for 9 meters



Cluster Meter Box for 6 meters



Grounding Mat

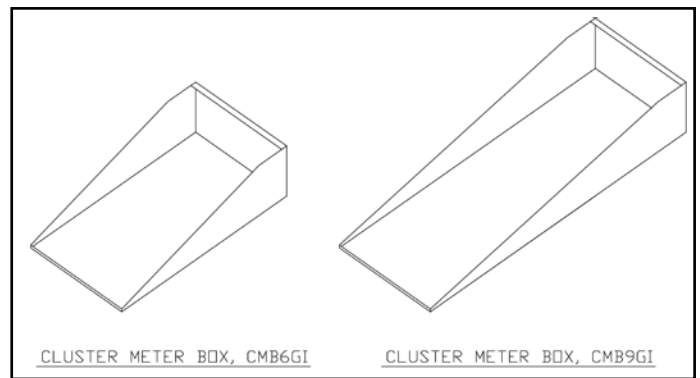
## **Features:**

- Made of steel sheet protected by galvanic coating and powder coating for maximum durability.
- Aluminum or stainless steel sheet metals are also available.

## CLUSTER METER BOX

No. of KWHR	CATALOGUE DIMENSION (mm)				
	Meter	NUMBER	HEIGHT	WIDTH	DEPTH
	CMB6GI	725	400	180	
	CMB9GI	1025	400	180	

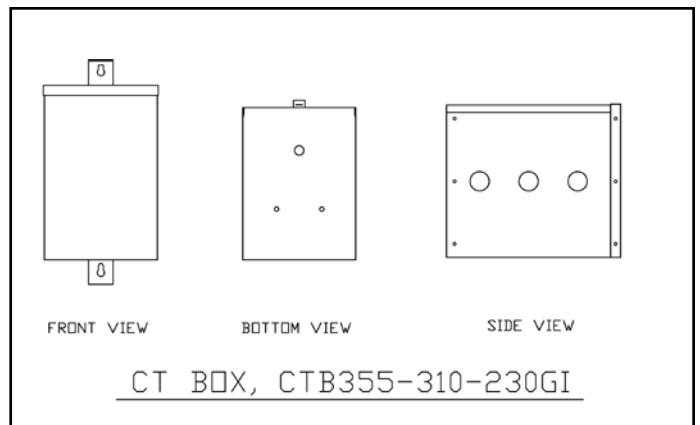
- \* Made up of GI Sheet, Ga#16, 1.5mmThk
- \* Includes 2 pairs of pole brackets and bolts.



## CT BOX

Catalogue Number	CATALOGUE DIMENSION (mm)		
	HEIGHT	WIDTH	DEPTH
CTB560-310-230GI	560	230	310
CTB355-310-230GI	355	230	310

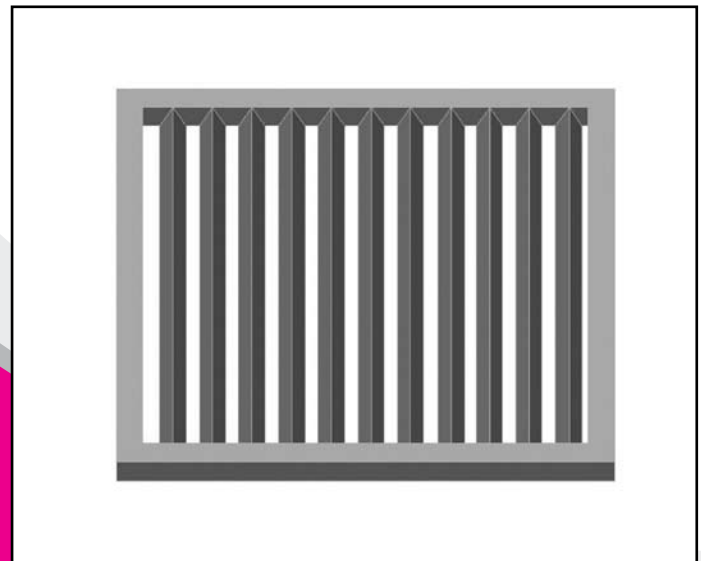
- \* Made up of GI Sheet, Ga#16, 1.5mmThk
- \* Includes 2 pairs of pole brackets and bolts.



## GROUNDING MAT

CATALOGUE NUMBER	DIMENSION (mm)	
	LENGTH	WIDTH
GRDM800-600-HD	800	600
GRDM100-800-HD	1000	800
GRDM120-100-HD	1200	1000

- \* Made up of BI Sheet, Ga#12, 2.5mmThk
- \* Hot Dipped Galvanized



Manufactured by:



**ASIAPHIL ELECTRIC PAMPANGA, INC.**  
 Site Address: Lot 10 & 12 Block 3, Angeles Industrial Park,  
 Calibutbut, Bacolor, Pampanga, Philippines  
 Tele Fax Number: (045) 636-6517-18

**ASIAPHIL SOUTH LUZON, INC.**  
 Lot 2582 San Antonio, Sto. Tomas, Batangas  
 Telephone No: (043) 318-2854



[www.asiaphil.com](http://www.asiaphil.com)  
[www.giniphil.com](http://www.giniphil.com)  
 Email us at [write@asiaphil.com](mailto:write@asiaphil.com)