

# GINI CABLE TRAY SYSTEM



Horizontal Elbow -  
Solid Bottom



Tee Reducer - Ladder Type



Horizontal Elbow -  
Ladder Type



Vertical Elbow - Ladder Type  
with Expanded Metal



Straight Run -  
Ladder Type



Vertical Elbow - Perforated Type

## **Features:**

- Made of steel sheet protected by galvanic coating and/or powder coating for maximum durability

CABLE TRAY				
METAL SHEET	THICKNESS			
	1.0 mm	1.5 mm	2.0 mm	2.5 mm
BLACK IRON	✓	✓	✓	✓
GALVANIZED IRON	✓	✓	✓	
STAINLESS	✓	✓	✓	

VERTICAL ELBOW / HORIZONTAL ELBOW / TEE							
HEIGHT	WIDTH						
	100mm	200mm	300mm	400mm	500mm	600mm	700mm
100mm	✓	✓	✓	✓	✓	✓	✓
150mm	✓	✓	✓	✓	✓	✓	✓
200mm	✓	✓	✓	✓	✓	✓	✓

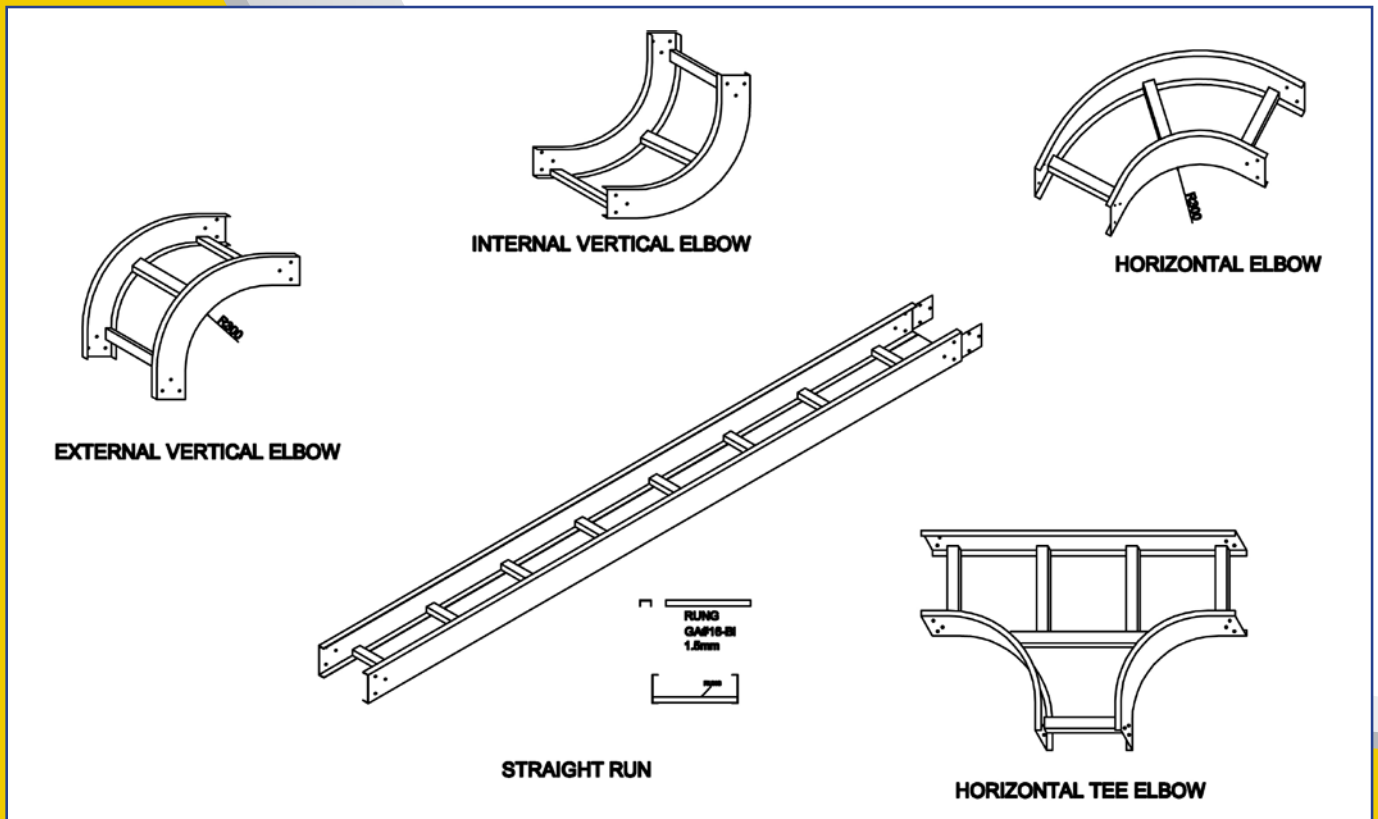
**STRAIGHT RUN (Length: 2400mm)**

HEIGHT	WIDTH									
	100mm	200mm	300mm	400mm	500mm	600mm	700mm	800	900	1000
100mm	✓	✓	✓	✓	✓	✓	✓	✓	✓	✓
150mm	✓	✓	✓	✓	✓	✓	✓	✓	✓	✓
200mm	✓	✓	✓	✓	✓	✓				

Legend: ✓ = available variants

**TECHNICAL INFORMATION**

- \* Cable tray elbows can either be angular or circular type.
- \* BI Sheets can either be Powder Coated (Gray, beige, orange) or Hot dipped galvanized.
- \* BI Sheets undergoes 9 stages of metal treatment.
- \* For Cable Tray Ladder Type, Rungs can either be riveted or welded.
- \* Sizes may vary based on customer's requirement.
- \* Cable trays can either be Ladder Type, Perforated or Solid Bottom Type.



Manufactured by:



**ASIAPHIL ELECTRIC PAMPANGA, INC.**  
Site Address: Lot 10 & 12 Block 3, Angeles Industrial Park,  
Calibutbut, Bacolor, Pampanga, Philippines  
Tele Fax Number: (045) 636-6517-18

**ASIAPHIL SOUTH LUZON, INC.**  
Lot 2582 San Antonio, Sto. Tomas, Batangas  
Telephone No: (043) 318-2854



www.asiaphil.com  
www.giniphil.com  
Email us at write@asiaphil.com